



# WAUSAU

WINDOW AND WALL  
SYSTEMS



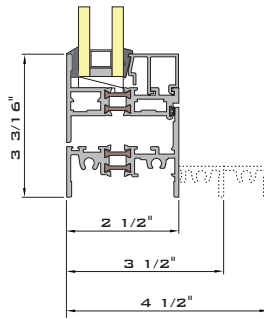
## WINDOWS AND BALCONY DOORS

THERE'S A REASON SO MANY OF OUR NATION'S MOST IMPORTANT BUILDINGS, FROM ART MUSEUMS TO ELEMENTARY SCHOOLS HAVE WAUSAU WINDOWS...

FOR MORE THAN 55 YEARS, WAUSAU HAS SET THE STANDARD FOR PERFORMANCE, QUALITY, AND EASE OF INSTALLATION.

WAUSAU ENGINEERING PROFESSIONALS ENSURE THAT EACH BUILDING'S WINDOWS ARE RIGHT FOR ITS NEEDS, SUCH AS PRE-ENGINEERED SCHOOL WINDOWS, ARCHITECTURAL GRADE HOSPITAL WINDOWS, OR CUSTOMIZED HISTORICALLY ACCURATE REPLACEMENTS. WAUSAU SUPPORTS YOUR SUSTAINABLE DESIGN GOALS, AND OFFERS AN INDUSTRY-LEADING PRODUCT WARRANTY OF UP TO 10 YEARS.

[WWW.WAUSAUWINDOW.COM](http://WWW.WAUSAUWINDOW.COM)  
1.877.678.2983



Test results may vary

Allowable Air	Water	NFRC U-Factor	CRF <sub>f</sub>	STC
0.10 cfm/sqft at 6.24 psf	15 psf	0.16 to 0.64 BTU/hr.sqft.°F	46 to 82	31 to 42



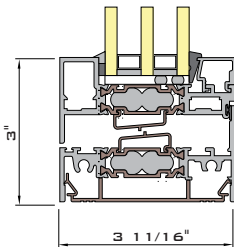
Wausau's INvent™ and 4250-Z "ADA" accessible windows are **laboratory-proven capable** of one-hand operation using a force of five pounds or less, without tight grasping, pinching or twisting of the wrist.

**2250i, 3250i AND 4250i**  
**WAUSAU'S FLAGSHIP SERIES**  
**DESIGN FLEXIBILITY . HIGH PERFORMANCE**

- 2½", 3½" and 4½" frame depth with polyamide thermal barrier
- AAMA AW-100 Architectural Performance Class
- Fixed, project-in hopper, project-out awning, or casement
- Integral blinds with access doors available
- 1/8" wall thickness at hardware attachments
- Multi-lock hardware option for improved accessibility
- INvent.PLUS -XP for European benchmark thermal performance
- XLT option features extra-wide thermal barrier, glazed-in muntin grid option for historical renovation
- BHM option for UFC or ISC blast hazard mitigation
- HP option for hurricane impact resistance

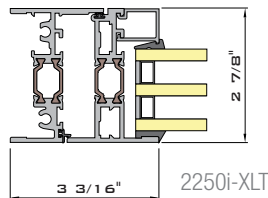
**XP**

**INVENT.PLUS**  
**R5 OPERABLE . R6 FIXED**



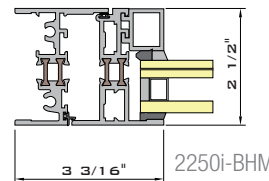
**XLT**

**ENHANCED THERMAL**  
**PERFORMANCE**



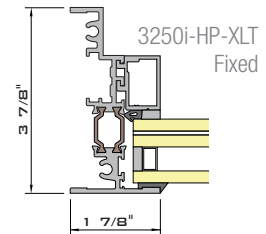
**BHM**

**BLAST HAZARD**  
**MITIGATION**



**HP**

**HURRICANE IMPACT**  
**RESISTANT**

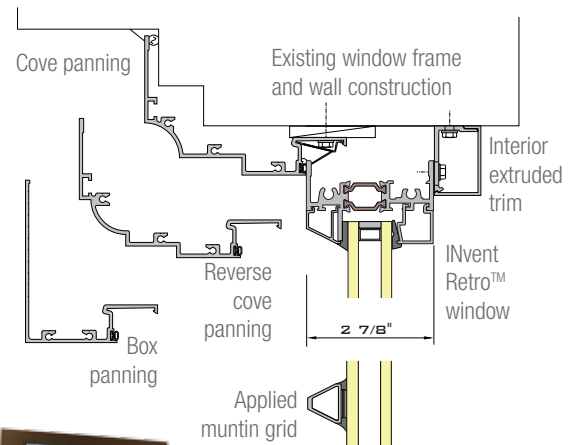


**PROJECTED**

**WINDOW REPLACEMENT**  
**PANNING AND MUNTIN GRIDS**

Removal of existing operable sash only, leaving frames in place, speeds installation and minimizes disruption - An extruded aluminum "panning" system prepares the opening

Muntins are available as true divided lites, glazed-in grids, silicone-applied or between-glass



**SIMULATED DOUBLE HUNG**

Projected windows with offset glass planes to replicate existing double-hung sash, but with the ease of operation, durability and low air infiltration of compression seals

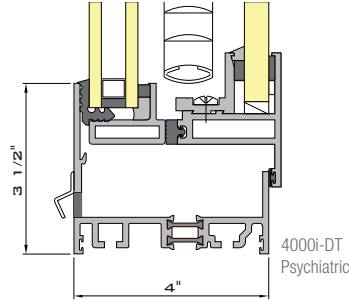
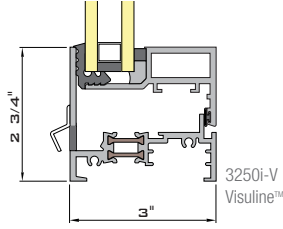


Leaving existing windows in place? Check out Wausau's S.E.A.L.™ interior accessory windows for sound, energy, air and light control

## 3250i-V AND 4250i-V VISULINE™ . 4000i-DT

LARGE, HIGH PERFORMANCE INSWING VENTS  
EQUAL SIGHTLINES AT VENTS AND FIXED LITES

- 3" and 4½" frame depth with polyamide thermal barrier
- AAMA AW-100 Architectural Performance Class
- Fixed, project-in hopper, or project-in casement
- Equal sightlines at vents and fixed lites
- Structural "no-sag" glazing allows for large vents
- Multi-lock hardware option for improved accessibility
- 1/8" principal wall thickness
- No vent joinery exposed to the exterior
- 4000i-DT Psychiatric windows are "drop-tested" for human impact, and fitted with tamper-resistant hardware



Allowable Air	Water	NFRC U-Factor	CRF <sub>f</sub>	STC
0.10 cfm/sqft at 6.24 psf	15 psf	0.39 to 0.66 BTU/hr.sqft.°F	54 to 62	33 to 48

Test results may vary

[www.wausauwindow.com](http://www.wausauwindow.com) . Download details, specifications, and product performance information



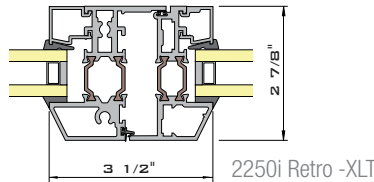
Baptist Memorial Hospital, Collierville, Tennessee | Photo © Greg Campbell

# AND FIXED WINDOWS

## INVENT RETRO -XLT

BEVELED GLAZING REBATES TO REPLICATE  
HISTORICAL PUTTY-GLAZED WINDOWS

- 2-7/8", 3-7/8" and 4-7/8" frame depth
- 18mm and 24mm XLT polyamide thermal barriers
- AAMA AW-100 Architectural Performance Class
- Optional equal sightlines at vents and fixed lites
- Triple glazing and integral blinds available
- Grid muntins or true divided lite (pictured)
- Optional decorative cove glazing beads (pictured)
- Optional multi-lock hardware for improved accessibility
- Innovative, French casement available (pictured) for Juliet balconies, terraces, or ground floor use



Allowable Air	Water	NFRC U-Factor	CRF <sub>f</sub>	STC
0.10 cfm/sqft at 6.24 psf	15 psf	0.39 to 0.64 BTU/hr.sqft.°F (est.)	46 to 60 (est.)	31 to 42

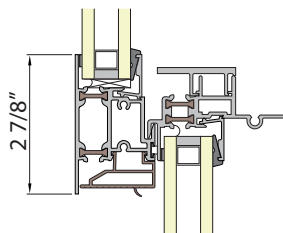
Test results may vary



**ADVANTAGE**  
BY WAUSAU

PRE-ENGINEERED STANDARD PRODUCTS FOR  
COMPETITIVE PRICING AND QUICK DELIVERY

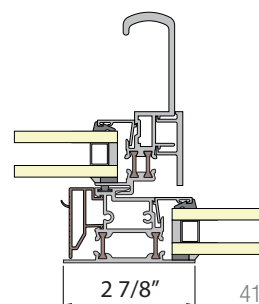
**310i-SH SERIES SINGLE HUNG**  
**AAMA AW-100 RATED HUNG WINDOWS**  
**POLYAMIDE THERMAL . ULTRALIFT® BALANCES**



- Rigid "five-member" single hung and single slide frame construction for ease of installation
- Sturdy corner-blocked and crimped sash construction
- Extruded aluminum or slide-in steel anchors
- Accepts 1" insulating glass; bead glazed
- Side-load, take-out, or slide-by sash for cleaning

Check out [www.wausauwindow.com](http://www.wausauwindow.com) for double hung, tilt sash and integrally-blinded options

**410i/4100i-HS HORIZONTAL ROLLING**  
**AAMA AW-70 RATED SLIDING WINDOWS**  
**POLYAMIDE THERMAL . BALL BEARING ROLLERS**



410i-HS  
Single Slide



4100i-HS  
Double Slide

Allowable Air	Water	NFRC U-Factor	CRF <sub>f</sub>	STC
0.30 cfm/sqft at 6.24 psf	12 psf	0.47 to 0.65 BTU/hr.sqft.°F (est)	57	33 (est)

Test results may vary

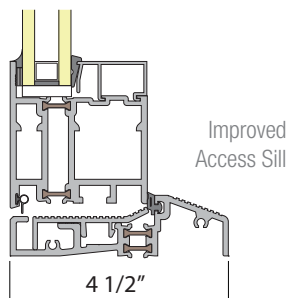
Allowable Air	Water	NFRC U-Factor	CRF <sub>f</sub>	STC
0.30 cfm/sqft at 6.24 psf	12 psf	0.41 to 0.65 BTU/hr.sqft.°F	49 to 57	33 (est)

Test results may vary

PRODUCTION LINE SAMPLING, INCLUDING INSPECTION AND WATER TESTING PRIOR TO SHIPMENT, HELPS ENSURE REAL-WORLD PERFORMANCE EQUAL TO THE LAB

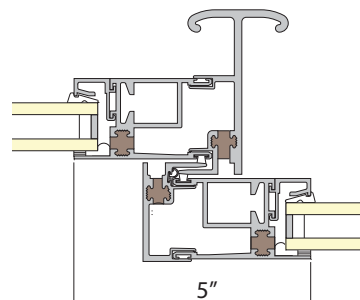
# HUNG AND ROLLING WINDOWS AND BALCONY DOORS

**TD-4250i TERRACE DOOR**  
**AAMA AW-RATED SINGLE OR FRENCH DOORS**  
**POLYAMIDE THERMAL . MULTI-POINT LOCKING**



- 4 1/2" frame depth, for seamless integration with other Wausau window wall products
- Sturdy corner-blocked and crimped door leaf construction
- Accepts 1" insulating glass - Removable beads for easy reglazing
- Low maintenance and smooth operation, designed for high-rise residential applications
- Offered through Advantage by Wausau for quick delivery

**D-5100 SLIDING GLASS DOOR**  
**AAMA AW60 RATED**  
**POLYURETHANE THERMAL . 12 PSF WATER**



WAUSAU'S EXTRUDED ALUMINUM FRAMES CONTAIN RECYCLED CONTENT AVERAGING 70% OR GREATER.



**WAUSAU**  
 WINDOW AND WALL SYSTEMS

"INvent," INvent Retro," "INvent.PLUS," "SEAL," and "Visuline" are trademarks of Apogee Wausau Group, Inc. All rights reserved. ©2014 Apogee Wausau Group, Inc.

7800 INTERNATIONAL DRIVE WAUSAU, WI 54401  
 TOLL FREE 1 877 678 2983 FAX 1 715 843 4350  
 EMAIL [INFO@WAUSAUWINDOW.COM](mailto:INFO@WAUSAUWINDOW.COM)